

Tube Magnetic Separator

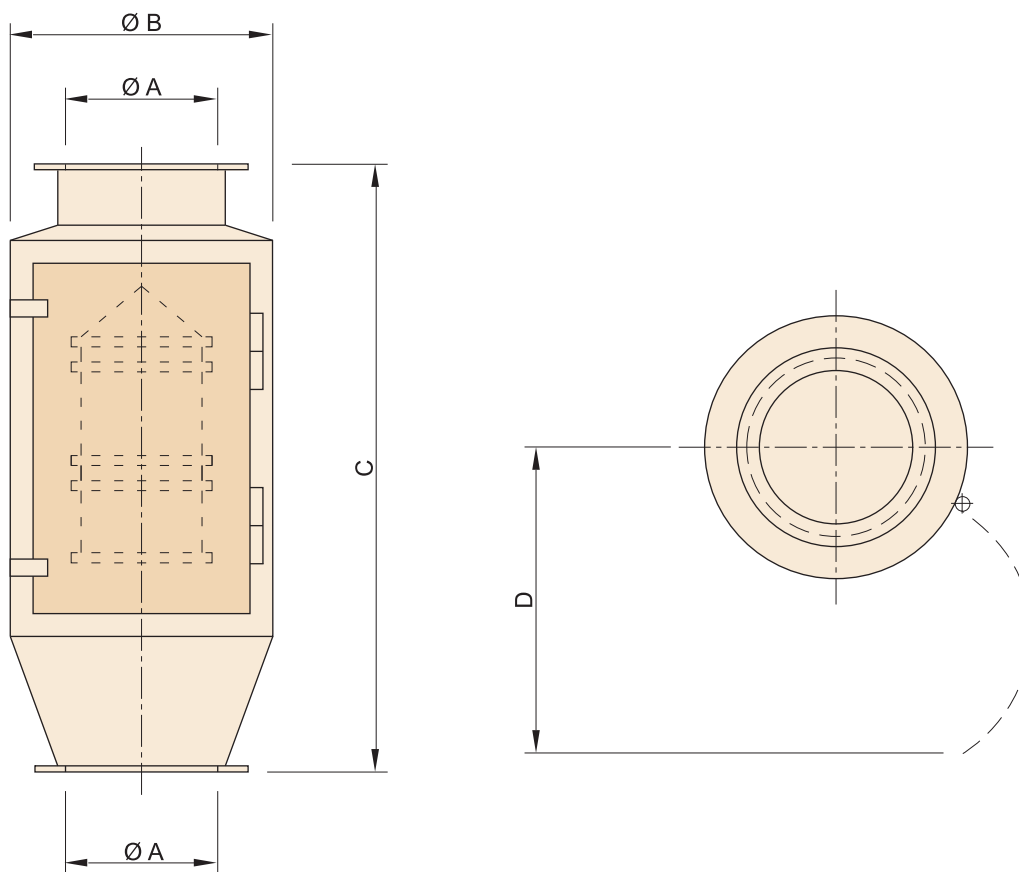
AMMS

Function:

- Separating metal particles such as nails, wire, screws, etc. from the milling materials in cleaning section.

Main Features:

- Being installed in the inlet of sensitive machines such as Double Roller Mill.
- Using high quality permanent magnets for producing magnetic core.
- Possibility of cleaning magnetic core using large service doors.



Ard Machine Tube Magnetic Separator

Type	Capacity [t/h]	Dimensions[mm]				Net weight [kg]	Shipping volume [m ³]
		$\varnothing A$	$\varnothing B$	C	D		
AMMS/A1	15	150	275	680	310	35	0.13

ARD MACHINE
manufacturing company

Head office: Vali-e-Asr Ave. No.1050/6 - Seventh Floor
No.702 - Post Code: 14338 - Tehran - Iran
Tel.: +98 21 88713695 & 7 Fax: +98 21 88713685

Factory: Qazvin Industrial Zone
Tel.: +98 282 222 30 29
Fax: +98 282 222 30 19

E-mail: info@ardmachine.com
Web Site: www.ardmachine.com