

Horizontal Scourer

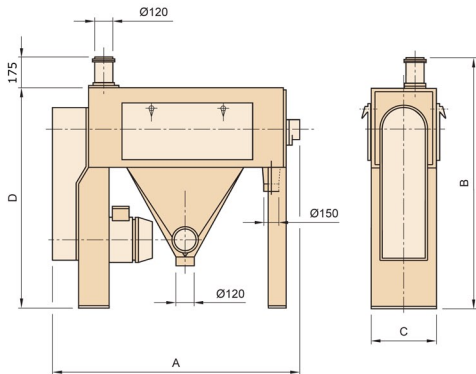
AMHS

Function:

- Intensive cleaning of the cereals without scraping the seeds.

Main Features:

- Possessing a steel cylindrical wire cloth inside of which is a rotor with steel beaters and manganese steel blades.
- Maximum cleaning of the seeds due to optimum impact between the beaters, seeds and the cylindrical wire cloth.
- Removing the surpluses fitted in cereals like the earth in crease or surface of the seeds.
- Stripping tops of the ears.
- Taking off the glumes.
- Removing germs, beard.
- Breaking up small lumps of earth into fine particles.
- Extinction of small insects by strokes of the beaters.
- Easy replacement of the wire cloth.
- High capacity and silent operation of the machine with no vibration.



Ard Machine Horizontal Scourer

Type	Capacity [t/h]	Motor (50 Hz) [kW]	Aspiration [m^3/min]	Dimensions [mm]				Net weight [kg]	Shipping volume [m^3]
				A	B	C	D		
AMHS 50/165-15	20	15	8	2010	1725	610	1550	960	2.3

- The electric motor also operates utilizing power supply of 60 Hz. (18kw/1760rpm)

ARD MACHINE
manufacturing company

Head office: Valli-e-Asr Ave. No.1050/6 - Seventh Floor
No.702 - Post Code: 14338 - Tehran - Iran
Tel.: +98 21 88713695 & 7 Fax: +98 21 88713685

Factory: Qazvin Industrial Zone
Tel.: +98 282 222 30 29
Fax: +98 282 222 30 19

E-mail: info@ardmachine.com
Web Site: www.ardmachine.com