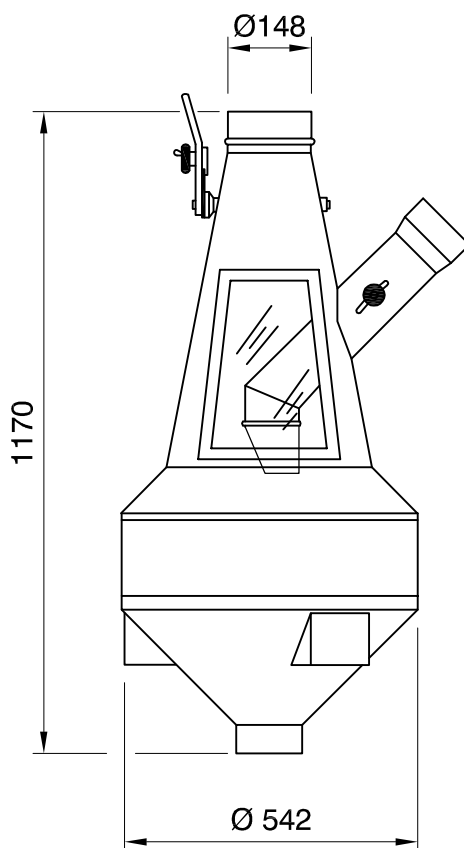


Conical Turbo-Aspirator

AMCA

- Turbine type rotary blade distributor activated by air flow ensures uniform product distribution over entire section
- High efficiency activated by control of exhaust air speed position of the turbine distributor relative to the conical exhaust chamber



Ard Machine Conical Turbo-Aspirator

Type	Output [t/h]	Air [m ³ /min]	Net Weight [kg]
AMCA	3-4	20	41

ARD MACHINE
manufacturing company

Head Office: Vali-e-Asr Ave. No.1050/6 - Seventh Floor
No.702 - Post Code: 14338 - Tehran - Iran
Tel.: +98 21 88713695 & 7 Fax: +98 21 88713685

Factory: Qazvin Industrial Zone
Tel.: +98 282 222 30 29
Fax: +98 282 222 30 19

E-mail: info@ardmachine.com
Web Site: www.ardmachine.com