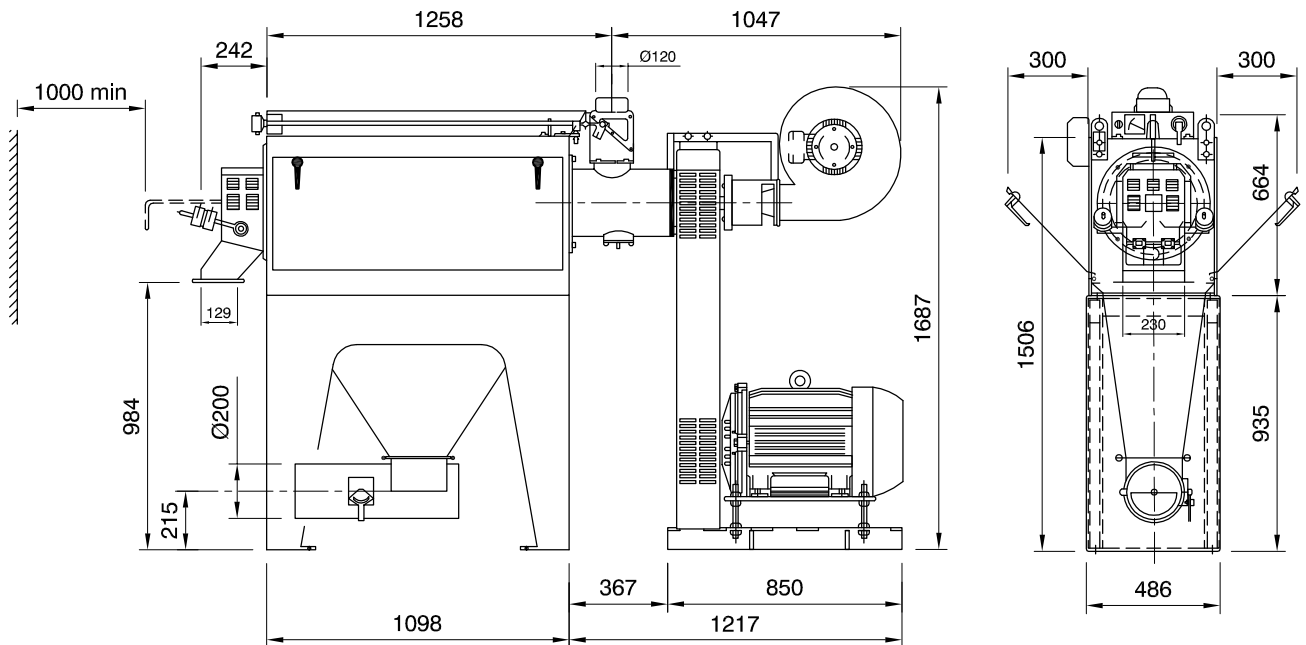


- This machine provides perfect maize degermination and scouring in a single pass
- This machine is ideal for production of Hominy, Gritz, Semolina
- The weight of machine is 950 kg
- The unique shape of the rotor and shell cause a particular efficient friction motion between maize kernels
- A remarkable degermination and scouring action is achieved as a result



Ard Machine Pulidor

Type	Output [t/h]	Motor – 60 Hz [kW]	Ventilator Fan 50–60 Hz [kW]	Net Weight [kg]
AMPUL	3	66	0.37	950

ARD MACHINE

manufacturing company

Head Office: Vali-e-Asr Ave. No.1050/6 - Seventh Floor
No.702 - Post Code: 14338 - Tehran - Iran
Tel.: +98 21 88713695 & 7 Fax: +98 21 88713685

Factory: Qazvin Industrial Zone
Tel.: +98 282 222 30 29
Fax: +98 282 222 30 19

E-mail: info@ardmachine.com
Web Site: www.ardmachine.com