

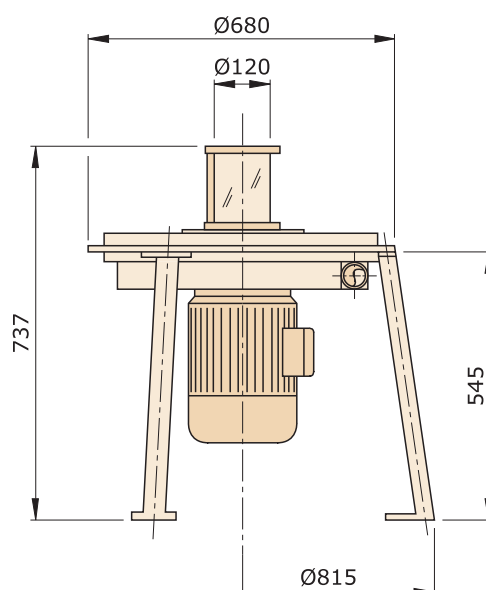
Centrifugal Pulversan

AMCP

- Separating the flakes disrupted on stocks from smooth roller mill passages
- Increasing flour yields and allowing the sifter passage perform more efficiently

- Employing a circular chamber inside of which is an operating rotor directly keyed to the shaft of the motor
- Releasing the flour particles adhering to the bran

- The circular operation of the machine throws the product to the walls of the chamber centrifugally, causing no alteration in the product characteristics



Ard Machine Centrifugal Pulversan

Type	Output [t/h]	Motor (50 Hz) [kW]	Net weight [kg]
AMCP 68/3	2	5.5	135

- The electric motor also operates utilizing power supply of 60 Hz.

ARD MACHINE
manufacturing company

Head office: Vali-e-Asr Ave. No.1050/6 - Seventh Floor
No.702 - Post Code: 14338 - Tehran - Iran
Tel.: +98 21 88713695 & 7 Fax: +98 21 88713685

Factory: Qazvin Industrial Zone
Tel.: +98 282 222 30 29
Fax: +98 282 222 30 19

E-mail: info@ardmachine.com
Web Site: www.ardmachine.com